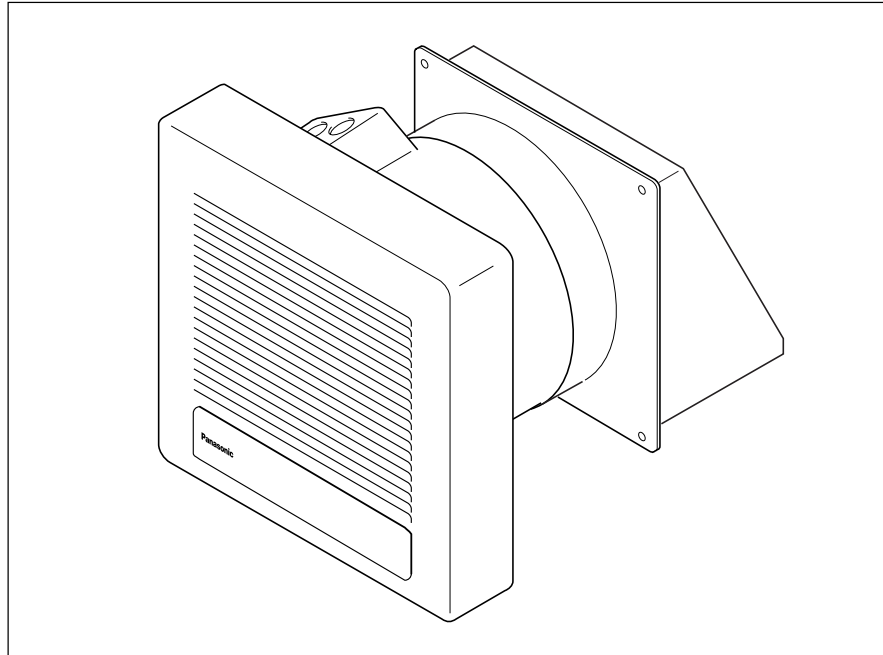


# INSTALLATION INSTRUCTIONS

Through the Wall Fan "Whisper Wall"

Ventilating Fan

FV-08WQ1



## READ AND SAVE THESE INSTRUCTIONS

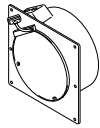



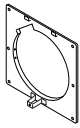
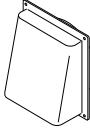

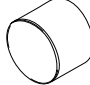
Please read instructions carefully before attempting to install, operate or service the Panasonic Ventilating Fan. Failure to comply with these instructions could result in personal injury and/or property damage. Please retain for future reference.

Table of Contents	Pages
List of components .....	2
Description .....	2
Reference installation drawing .....	2
Dimensions .....	3
Specifications .....	4
Unpacking .....	4
General safety precautions .....	4
Installation I (In new construction) .....	5-6
Installation II (In remodeling) .....	7-8
Maintenance .....	9-10
Product Service .....	10

# Panasonic

# List of components

## FV-08WQ1

Part name	Drawing	Quantity	Part name	Drawing	Quantity
Wall sleeve		1	Screw III (4 x 8)		1
Screw I (4 x 30)		4	Template (Pattern paper)		1
Mounting plate		1	Exterior hood		1
Screw II (4 x 6) (for new construction only)		2	Extension sleeve		1

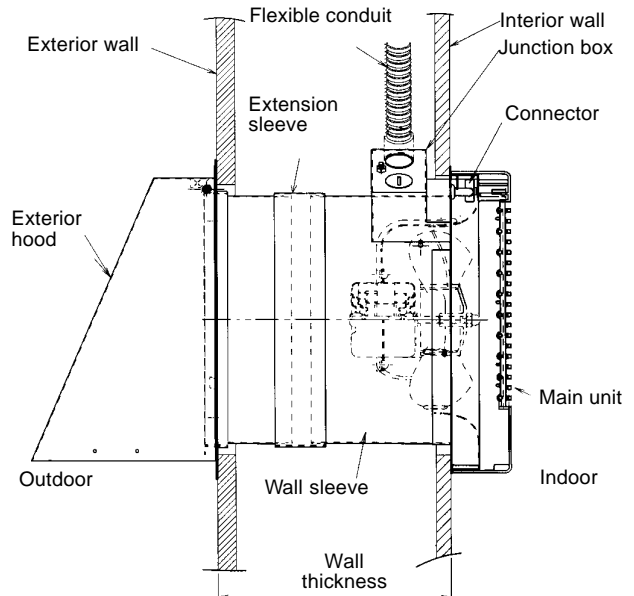
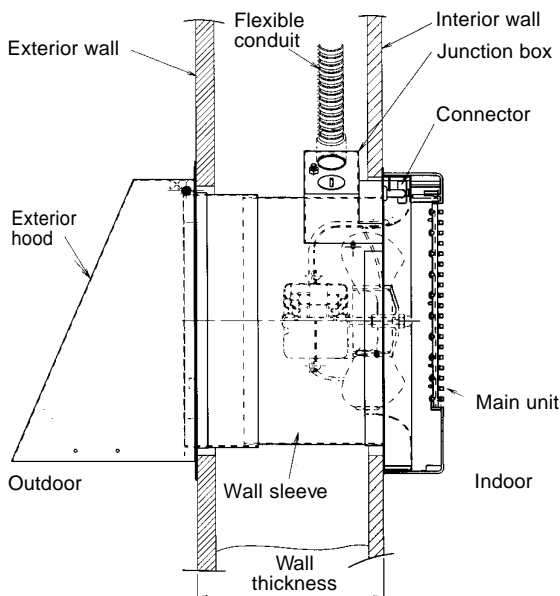
## Description

This Panasonic wall mounted ventilating fan uses a propeller fan driven by a capacitor motor. The motor is designed for extended service life with reduced energy consumption. It also incorporates a thermal-cutoff device for safety. The grille is easily detachable from the main unit.

## Reference installation drawing

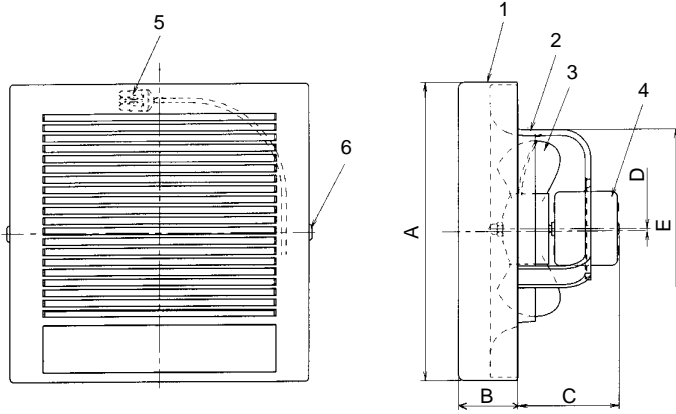
Wall thickness: 114.3 - 152.4 mm (4.5 - 6")  
No extension sleeve is used.

When the wall thickness is between 152.4 mm (6") and 254 mm (10"), mount the extension sleeve as shown below. When the wall thickness is more than 254 mm (10"), prepare an extension sleeve with an inner diameter of 207 mm (8 5/32") and a length of wall thickness minus 127 mm (5"), and mount it as shown below. (The seam should be covered with aluminum tape.)

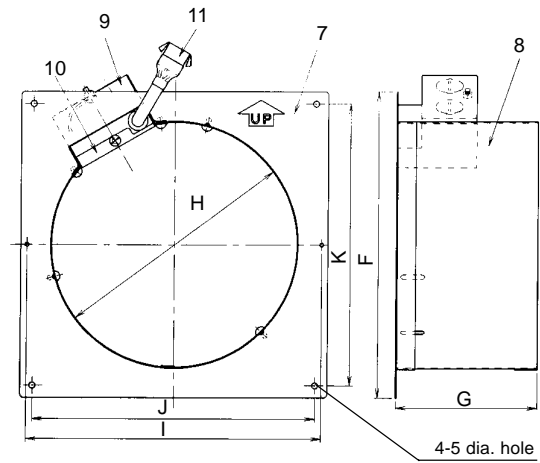


# Dimensions

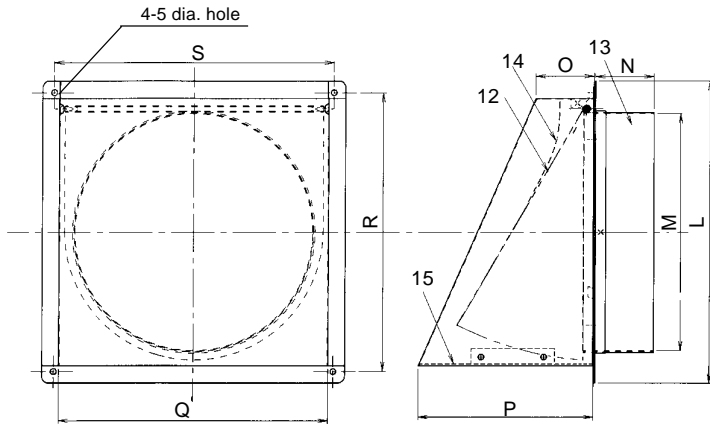
## Main unit



## Wall sleeve



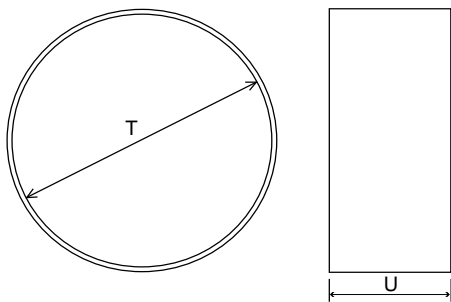
## Exterior hood



Unit: mm (inch)

A	B	C	D	E	F
260□ (10-1/4□)	52 (2-1/16)	88 (3-15/32)	2 (3/32)	173ø (6-13/16ø)	250□ (9-27/32□)
G	H	I	J	K	L
115 (4-17/32)	203 (8)	240 (9-7/16)	230 (9-1/16)	230 (9-1/16)	260□ (10-1/4□)
M	N	O	P	Q	R
204ø (8-1/32ø)	50 (31/32)	50 (31/32)	150 (5-29/32)	230 (9-1/16)	240 (9-7/16)
S	T	U			
240 (9-7/16)	207 (8-5/32)	127 (5)			

## Extension sleeve



No.	Part name
1	Grille
2	Frame
3	Blade
4	Motor
5	Connector
6	Hook
7	Flange
8	Duct
9	Junction box
10	Junction box cover
11	Connector
12	Shutter
13	Duct
14	Spring
15	Bird screen

# Specifications

Model	Air direction	V	Hz	Power consumption* <sup>1</sup> (W)	Speed* <sup>1</sup> (r/min.)	Air delivery at 0.03"WG (CFM)	Noise	Weight* <sup>2</sup> lb. (kg)
FV-08WQ1	Exhaust	120	60	17	1340	70	1.1	3.1 (1.4)

\*<sup>1</sup> At 0.0" Static pressure, (Pa)

\*<sup>2</sup> For main unit only.

# Unpacking

Unpack and carefully remove unit from the carton. Refer to list of components to verify that all parts were supplied.

# General safety precautions

1. Do not install this ventilating fan where air temperature may exceed 104 °F. (40 °C)
2. Make certain that the nominal service voltage is 120V 60 Hz.
3. Follow all local electrical and safety codes, as well as the National Electrical Code (NEC) and the Occupation Safety and Health Act (OSHA).
4. Always disconnect the power source before working on or near the fan, motor or junction box.
5. Protect the power cord from sharp edges, oil, grease, hot surfaces, chemicals, or other objects.
6. Do not kink the power cord.
7. Provide suction parts with proper ventilation.
8. This unit is acceptable for use over a bathtub or shower when installed in a GFCI protected branch circuit.

### CAUTION:

1. For general ventilating use only. Do not use to exhaust hazardous or explosive materials and vapors.
2. Not for use in cooking area. (Fig. A)
3. This product must be grounded.
4. To reduce the risk of injury to persons, install fan at least 7 - 10 feet (2.1 - 3.05 meters) above the floor.

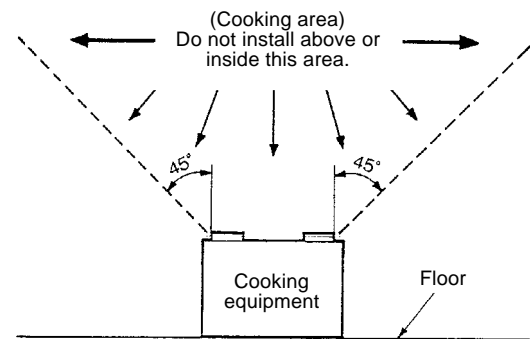


Fig. A

### WARNING:

To reduce the risk of fire, electric shock, or injury to persons, observe the following;

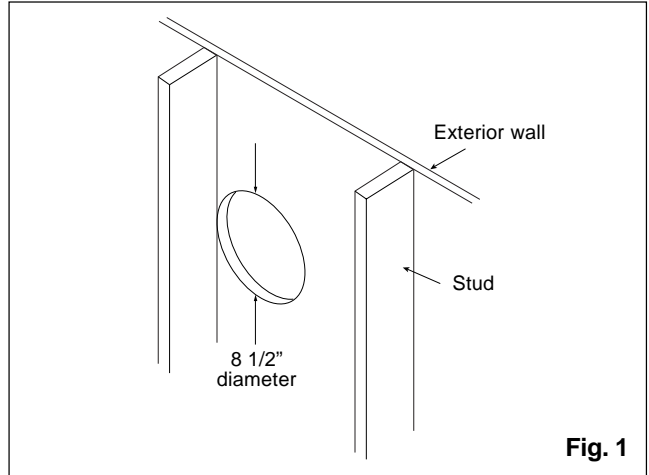
- A. Use this unit only in the manner intended by the manufacturer. If you have any questions, contact the manufacturer.
- B. Installation work and electrical wiring must be done by qualified person(s) in accordance with all applicable codes and standards, including fire-rated construction.
- C. Sufficient air is needed for proper combustion and exhausting of gases through the flue (chimney) of fuel burning equipment to prevent backdrafting. Follow the heating equipment manufacturer's guideline and safety standards such as those published by the National Fire Protection Association (NFPA), and the American Society for Heating Refrigeration and Air Conditioning Engineers (ASHRAE), and the local code authorities.
- D. When cutting or drilling into wall or ceiling, do not damage electrical wiring and other hidden utilities.
- E. If this unit is to be installed over a tub or shower, it must be marked as appropriate for the application.
- F. Do not use this fan with any solid-state speed control device.
- G. Before servicing or cleaning unit, switch power off at service panel and lock the service disconnecting means to prevent power from being switched on accidentally. When the service disconnecting means cannot be locked, securely fasten a prominent warning device, such as a tag, to the service panel.
- H. NEVER place a switch where it can be reached from a tub or shower.

# Installation I (In new construction)

**NOTE:**

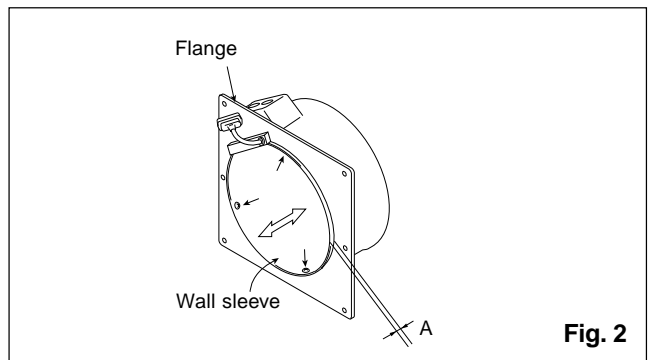
If the wall thickness is more than 152.4 mm (6"), refer to the reference installation drawing when the wall thickness is more than 152.4 mm (6") on page 2. However, this ventilating fan can be installed on an interior wall with a thickness of 12.7 – 16 mm (1/2 – 5/8"). For installation on other walls, refer to the method on page 7, Installation II.

1. Cut a 215 mm (8 1/2") diameter hole in the wall. (Fig. 1) (Cut the hole next to a wall stud as shown in the figure.).



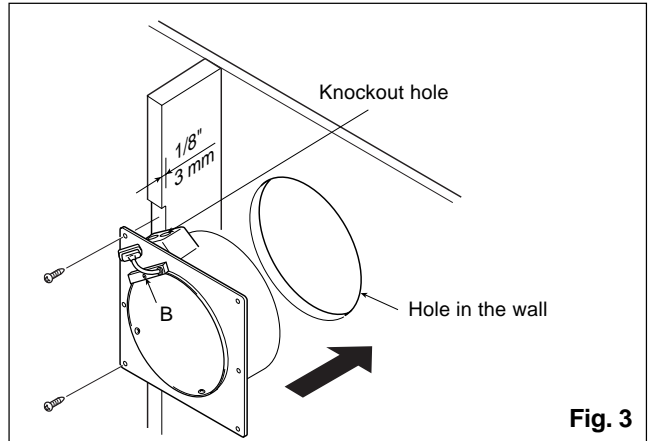
**Fig. 1**

2. Adjust position of the flange on the wall sleeve (Fig. 2). Loosen the three screws (arrow pointed) and slide the wall sleeve horizontally to adjust its position to compensate for the thickness of the interior wall (A). When this has been done, tighten all three screws.



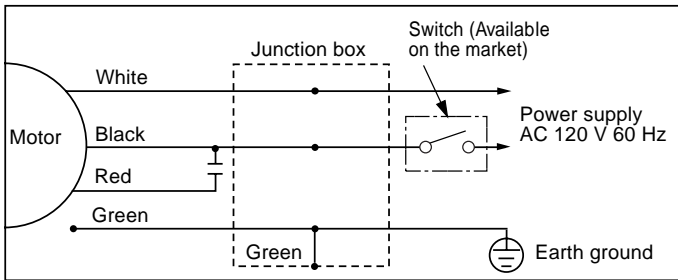
**Fig. 2**

3. After providing a 3 mm notch in the wall stud, secure the flange to the wall stud with supplied screws (Screw I). (Fig. 3)
4. Remove the junction box cover by removing screw (B).
5. Remove one of the knockout holes in the junction box.



**Fig. 3**

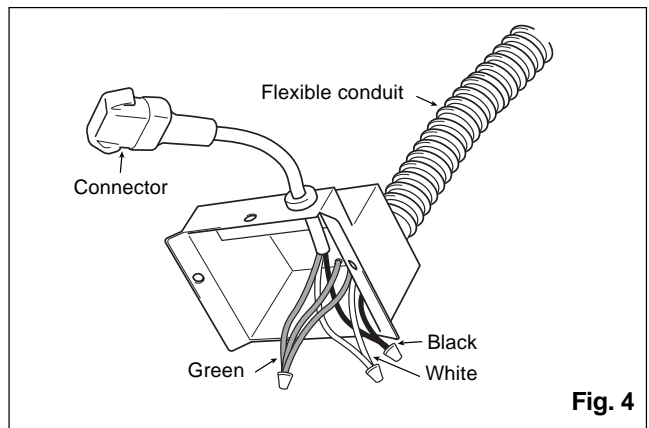
**Wiring Diagram**



6. Refer to the wiring diagram above. Using the wire nuts, connect the house power wires to ventilating fan wires. (Fig. 4): black to black; white to white; green to greens. Reattach the junction box cover.

**CAUTION:**

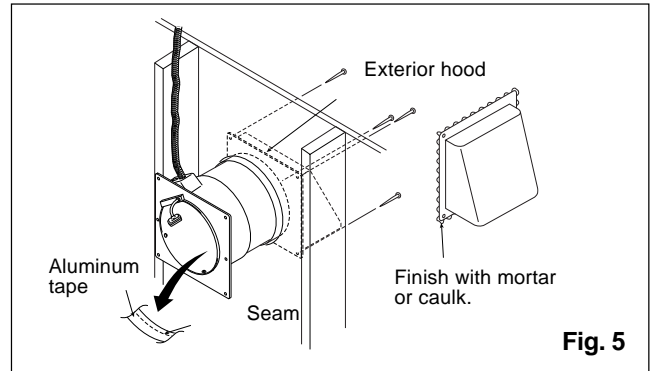
Reattach the junction box cover carefully so that the lead wires are not pinched by the cover.



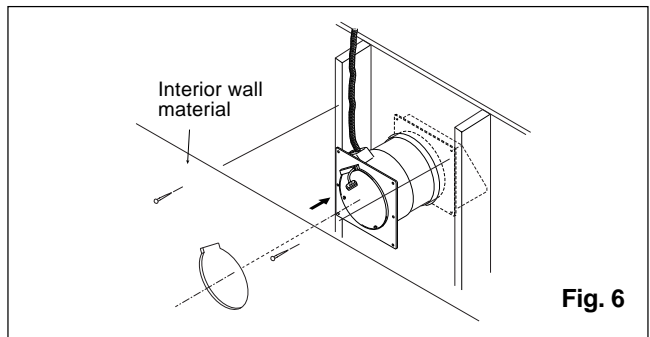
**Fig. 4**

## Installation I (In new construction) - continue

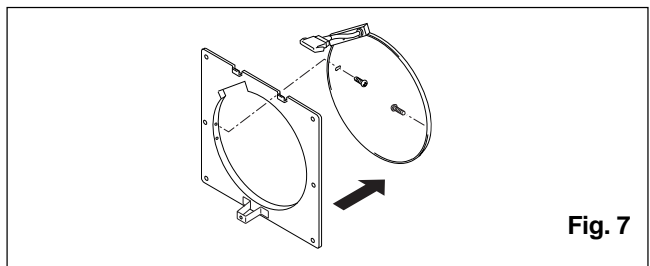
7. Insert the attached exterior hood from the outside to cover the wall sleeve, and secure it with four screws or nails. Cover the seam between the wall sleeve and exterior hood with aluminum tape, and apply mortar or caulking around the exterior hood flange to prevent rainwater from coming in. (Fig. 5)



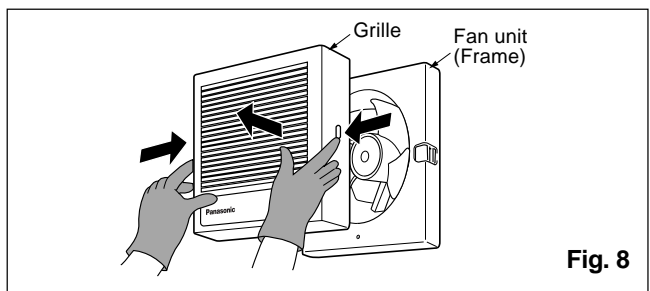
8. Using enclosed template (pattern paper), mark and cut the opening in the interior wall cover. (Fig. 6)



9. Press the mounting plate tightly against the wall and secure to the outside of the wall sleeve with the supplied screws (screw II). (Fig. 7)



10. Remove the grille from the fan unit. Press the spring locks on the sides and pull the grille back. (Fig. 8)



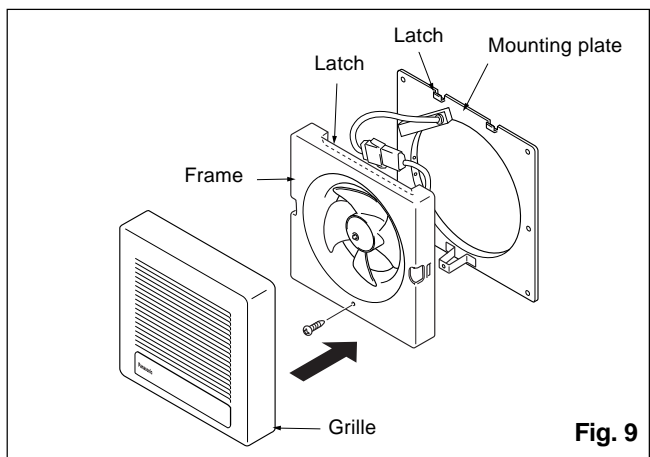
11. Attach the electrical connectors to each other, hook the frame latches onto the mounting plate latch, and secure the fan unit to the mounting plate with the supplied screw (screw III). (Fig. 9)

**CAUTION:**  
Do not pinch the power cord with the frame.

12. Reattach the grille to the frame.

**CAUTION:**  
Press on the grille until it clicks.

**NOTE:**  
Be sure to paint the exterior hood. Before painting, thoroughly wipe off any oil on the surface. Also make sure that the paint does not enter inside of the hood.



## Installation II (In remodeling)

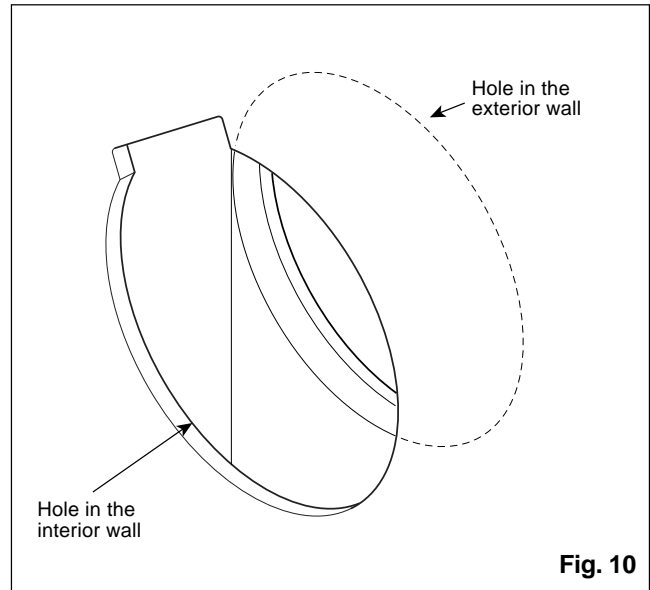
**NOTE:**

If the wall thickness is more than 152.4 mm (6"), refer to the reference installation drawing when the wall thickness is more than 152.4 mm (6") on page 2.

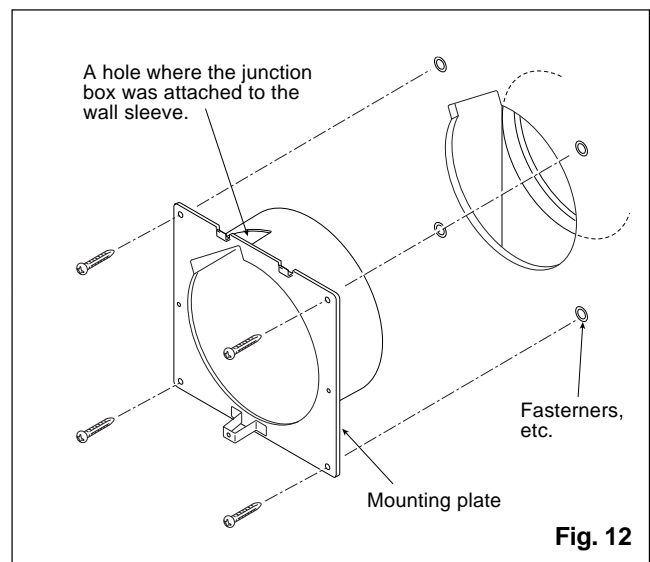
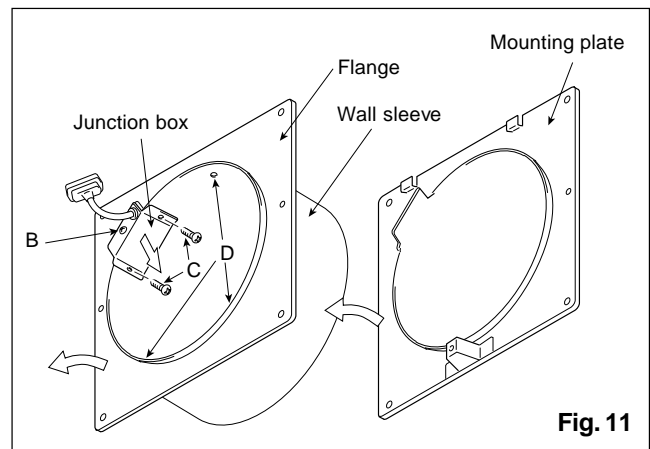
1. Cut holes in the interior and exterior walls. (Fig. 10)  
Cut a hole in the interior wall using the attached template (pattern paper), and make a 215 mm (8 1/2") hole in the exterior wall.

**CAUTION:**

The hole should be made in an area where pipes, cables and telephone lines are not run, and there are no studs in the way.

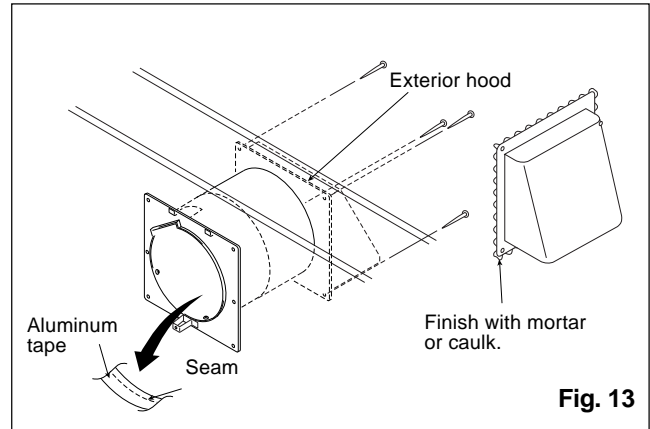


2. Lay interior wiring through the wall using a flexible conduit.
3. Remove the junction box from the wall sleeve by removing two screws (C). (Fig. 11)
4. Remove the junction box cover by removing screw (B).
5. Remove the screws (D) and replace the wall sleeve flange with the mounting flange. (The mounting plate face should align with the end of the wall sleeve which is protruding from indoor side.)
6. Attach the wall sleeve to the wall with supplied screws (Screw I). (Fig. 12)  
If the interior wall material is plaster board, use appropriate fasteners (locally available) to secure the wall sleeve.

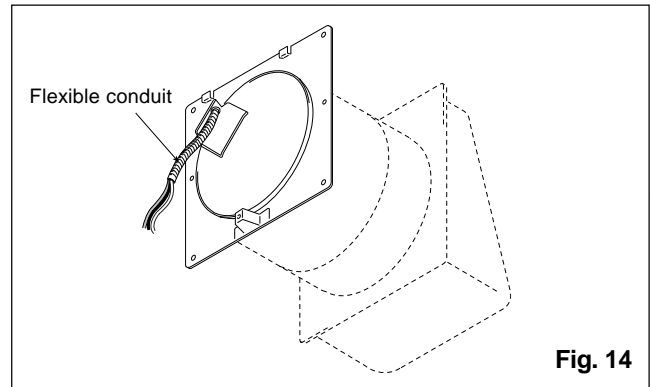
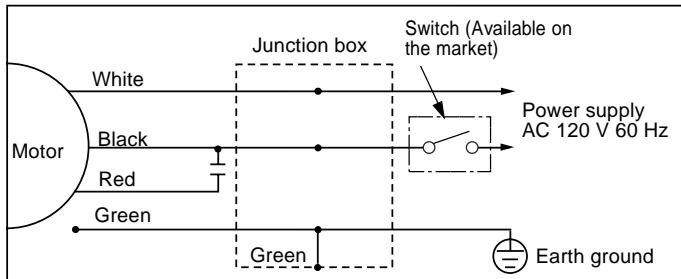


## Installation II (In remodeling) - continued

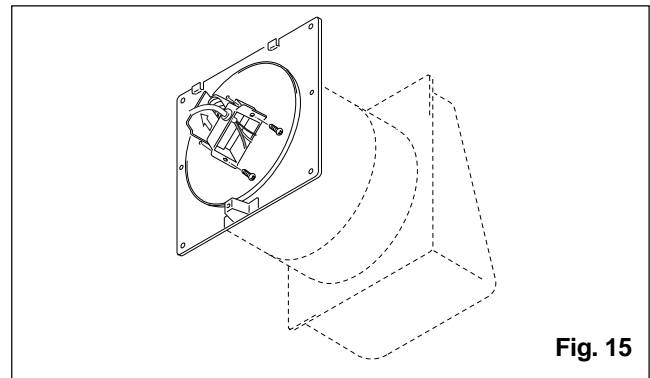
7. Insert the attached exterior hood from the outside to cover the wall sleeve, and secure it with four screws or nails. Cover the seam between the wall sleeve and exterior hood with aluminum tape, and apply mortar or caulking around the exterior hood flange to prevent rainwater from coming in. (Fig. 13)
8. Pull the flexible conduit through the hole where the junction box was attached to the wall sleeve. (Fig. 14)
9. Remove the knockout hole in the junction box and secure one end of the flexible conduit to the junction box.



### Wiring Diagram



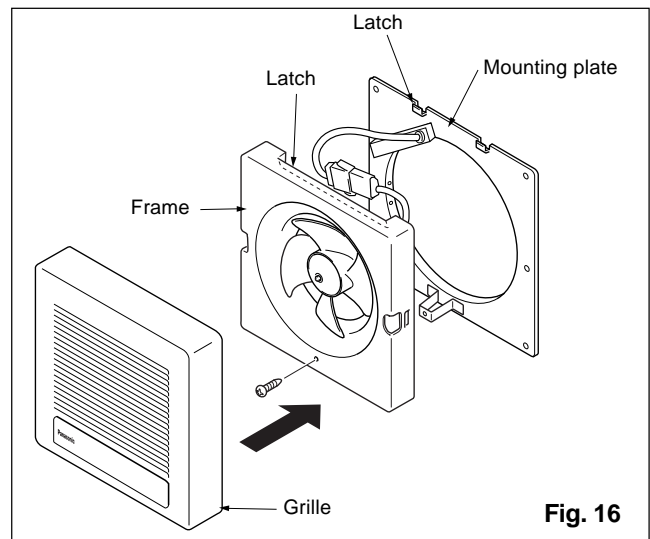
10. Refer to the wiring diagram above. Using the wire nuts, connect the house power wires to ventilating fan wires. (Fig. 4 on page 5): black to black; white to white; green to greens.
11. Place the junction box in its original position in the wall sleeve and reattach the box cover. (Fig. 15)



### CAUTION:

Reattach the junction box cover carefully so that the lead wires are not pinched by the cover.

12. Remove the grille from the fan unit. (Fig. 8 on page 6)
13. Attach the electrical connectors to each other, hook the frame latches onto the mounting plate latch, and secure the fan unit to the mounting plate with the supplied screw (screw III). (Fig 16)
14. Reattach the grille to the frame.



### CAUTION:

Press on the grille until it clicks.

### NOTE:

Be sure to paint the exterior hood. Before painting, thoroughly wipe off any oil on the surface. Also make sure that the paint does not enter inside of the hood.

# Maintenance

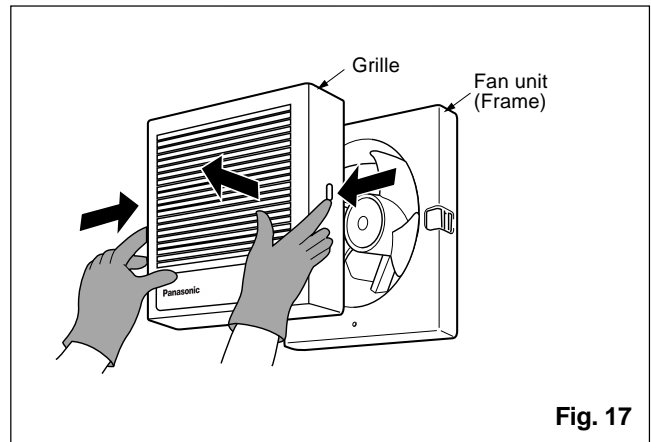
**WARNING:**

Turn off the units power before performing maintenance. Perform maintenance procedure monthly.

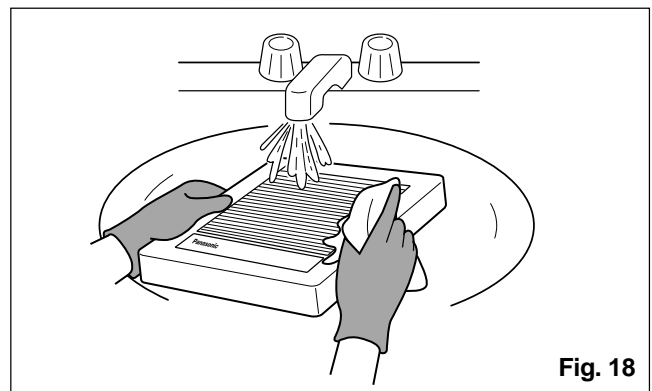
**CAUTION:**

1. Never use gasoline, benzene, paint thinner or other similar chemicals for cleaning the ventilating fan.
2. Do not allow water to enter the motor and motor compartment.
3. Do not immerse resin parts in water with temperature higher than 140°F (60°C).

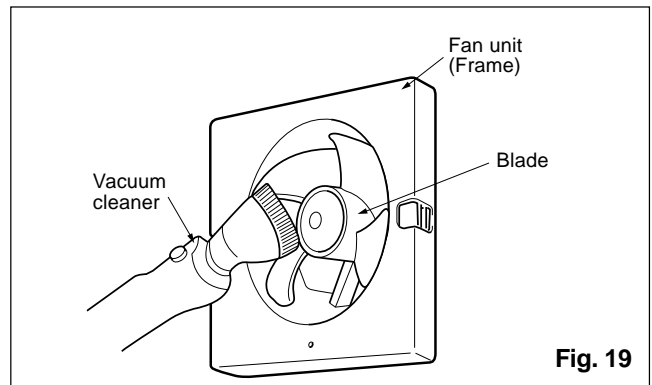
1. Remove the grille (Hold the grille and press the hooks on each side simultaneously. Pull the grille straight out from the wall.) (Fig. 17)



2. Wash and clean the grille (Use non-abrasive kitchen detergent). Wipe it dry with a clean cloth. (Fig. 18)



3. Remove dust and dirt from the fan blades and body using a vacuum cleaner. (Fig. 19)



---

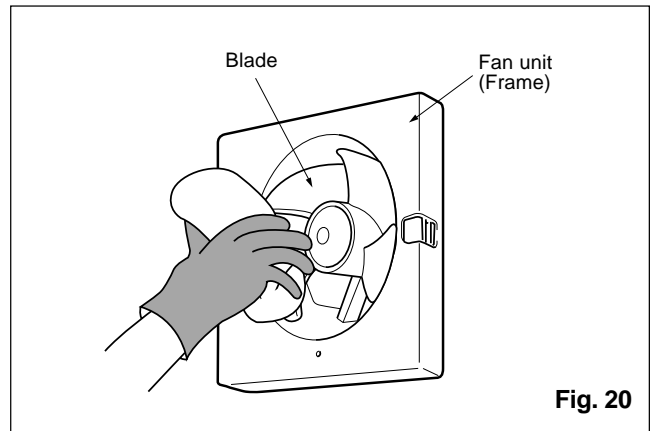
## Maintenance - continued

---

- Using a cloth dampened with a non-abrasive kitchen detergent, remove any dirt from the fan blades and body. Wipe them dry with a clean cloth. (Fig. 20)
- Reattach the grille.

**CAUTION:**

Press on the grille until it clicks.



---

## Product service

---

### Warning concerning removal of covers.

This unit should be serviced by qualified technicians only. No service information is provided for customers. Your product is designed and manufactured to ensure a minimum of maintenance. However, should your unit ever require service, a nationwide system of factory service centers and AUTHORIZED INDEPENDENT SERVICE CENTER is maintained to support your product's warranty. (In the U.S.A., call 1-800-545-2672 to locate the PASC Authorized Service Center nearest you.)

---

## PANASONIC HOME AND COMMERCIAL PRODUCTS COMPANY

One Panasonic Way, Secaucus, NJ 07094

## PANASONIC CANADA INC.

5770 Ambler Drive, Mississauga, Ontario L4W 2T3