

Specification Data

Panasonic Ventilation Fan



FV-08VQL4 (80 CFM)

Description

Ventilating fan shall be Low Noise ceiling mount type rated for continuous run. Fan shall be ENERGY STAR rated and certified by the Home Ventilating Institute (HVI). Fan shall include energy efficient compact fluorescent lighting. Evaluated by Underwriters Laboratories and conform to both UL and cUL safety standards.

Motor/Blower:

- Four-pole totally enclosed condenser motor rated for continuous run.
- Power Rating shall be 120 volts and 60 Hz.
- Fan shall be UL and cUL listed for tub/shower enclosure when used with a GFCI branch circuit wiring.
- Motor equipped with thermal-cutoff fuse.
- Removable with permanently lubricated plug-in motor.

Housing:

- Rust proof paint, galvanized steel body.
- Detachable 4" diameter duct adapter.
- Built in backdraft damper.
- Double hanger bar system allowing for ideal positioning.

Grille:

- Attractive design using PP material.
- Attaches directly to housing with torsion springs.

Light:

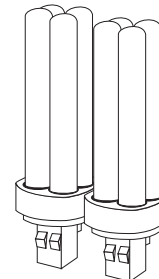
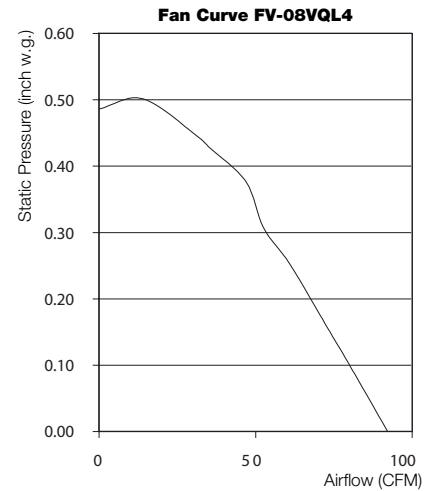
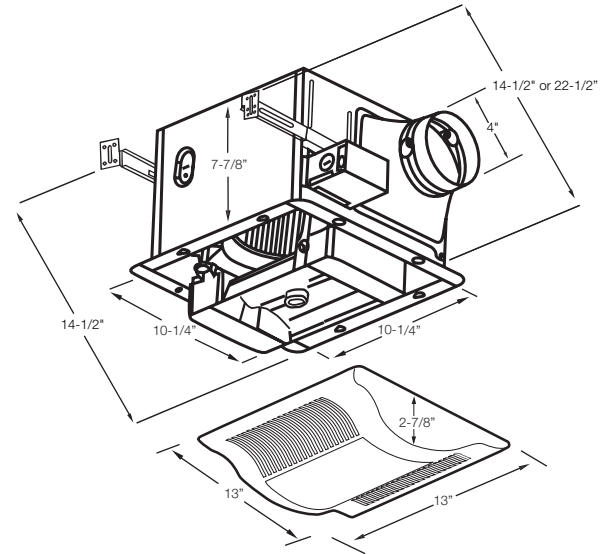
- Two 18 watt electronic ballast compact fluorescent lamps included.
- One 4 watt, night-light included.

Warranty:

- The factory warranty shall be a minimum of 3 years limited warranty on parts.

Typical Specifications:

Ventilating fan and light shall be of the ceiling mount, ENERGY STAR rated type, with no less than 80 CFM and no more than 0.3 sone as certified by the Home Ventilating Institute (HVI) at 0.1 static pressure in inches water gauge. Fan power consumption shall be no greater than 31.4 watts and ENERGY STAR rated with efficiency rating of no less than 3.2 CFM/watt. The motor shall be totally enclosed, four pole condenser type engineered to run continuously. Power rating shall be 120V/60Hz. Duct diameter shall be no less than 4". Fan shall be UL and cUL listed for tub/shower enclosure when used with GFCI branch circuit wiring. Lamps shall be of the compact fluorescent type with the fan utilizing no less than two 18-watt energy efficient, compact fluorescent lamps while incorporating a high efficiency electronic ballast. Night-light feature shall be included.



Included:
2 Panasonic
18 Watt
Compact
Fluorescent
Lamps.

Specifications:	FV-08VQL4	
Static Pressure (inches w.g.)	0.1"	0.25
Air Volume (CFM)	80	61
Noise (sones)	0.3	NA
Power Consumption (Watts)	25.2	24.9
Energy Efficiency (CFM/Watts)	3.2	2.4
Speed (RPM)	775	948
ENERGY STAR Rated	Yes	
Washington State VIAQ Code	Yes	
California Title 24	Yes	

For Complete Installation Instructions Visit www.panasonic.com/building



Model	Quantity	Comments	Project:
			Location:
			Architect:
			Engineer:
			Contractor:
			Submitted by:
			Date: